



东莞中力仪器科技有限公司

Dongguan Zhongli Instrument Technology Co., Ltd

Tel: +86-769-33657986

Fax: +86-769-33657987

Website: www.zltester.com

E-mail: Zhongli@zltester.com

Add: No.62, Xinxhe Management of Area, Wanjiang District, Dongguan, Guangdong, China

Name: ZL -3016E Digital IZOD and Charpy Impact Testing machine



→ Direct Manufacturer.

→ Excellent Quality.

→ Technical Innovation.

→ Fast Shipping.

→ Superior Service.



Tel: +86-769-33657986

Fax: +86-769-33657987

Website: www.zltester.com

E-mail: Zhongli@zltester.com

Add: No.62, Xinhe Management of Area, Wanjiang District, Dongguan, Guangdong, China

The Digital IZOD and Charpy Impact Testing machine is used for determining the rigid plastics, strengthen the impact toughness of nonmetallic materials such as nylon, glass fiber reinforced plastic, pottery, cast stone, plastic electric apparatus, insulating material

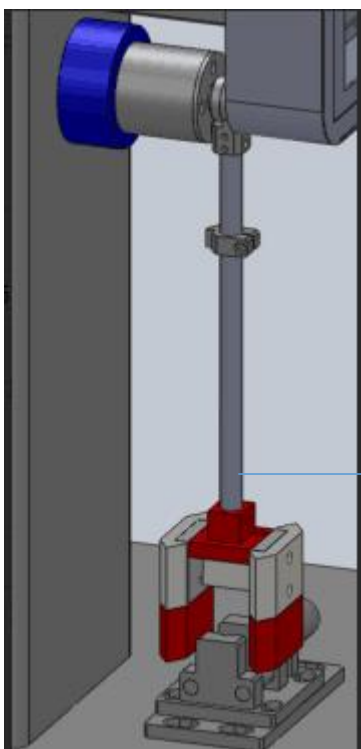
Feature:

The IZOD and Charpy Impact Testing machine adopts the technology of photoelectric encoder to examine angle, the whole digital measures the material absorption energy and impact intensity of the material in the course of breaking, and possess intact energy and lose detection and revision function. High precision and stability, large test range. The tester is a kind of whole digital impact testing machine. By changing the weight at the end of pendulum it can get many kind of test energy

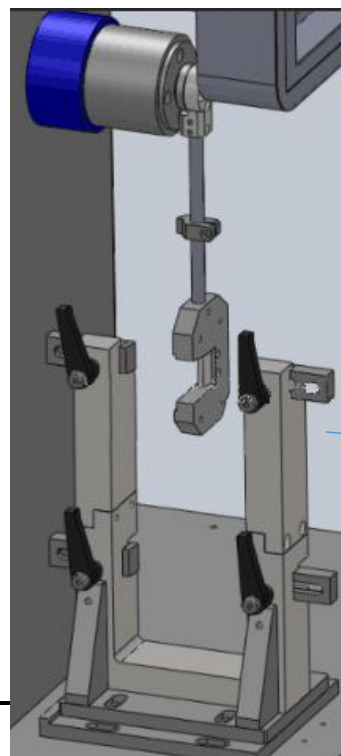
Parameter :

Model	-50	-22
Speed	3.8 m/s	3.5 m/s
Pendulum energy	7.5、 15、 25、 50J	1、 2.75、 5.5、 11J、 22J
Pendulum Yang angle	160°	160°
Cutting edge radius	R=2±0.5mm	R=0.8±0.2mm
Jaw radius	R=1±0.1mm	R=1±0.1mm
Line distance between the jaw support	40 mm、 60 mm、 70 mm、 95mm	Wedge-shaped jaw, universal
Impact of the blade angle	30°±1°	75°±1°
Empty pendulum impact	0.005	0.005

Hammer Design:



IZOD
hammer



Charpy Hammer



东莞中力仪器科技有限公司

Dongguan Zhongli Instrument Technology Co., Ltd

Tel: +86-769-33657986

Fax: +86-769-33657987

Website: www.zltester.com

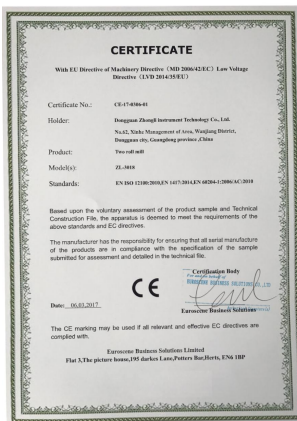
E-mail: Zhongli@zltester.com

Add: No.62, Xinhe Management of Area, Wanjiang District, Dongguan, Guangdong, China

Machine Safety Export Carton Packing:



Machine certificate:





东莞中力仪器科技有限公司

Dongguan Zhongli Instrument Technology Co., Ltd

Tel: +86-769-33657986

Fax: +86-769-33657987

Website: www.zltester.com

E-mail: Zhongli@zltester.com

Add: No.62, Xinhe Management of Area, Wanjiang District, Dongguan, Guangdong, China

Related Machine:





东莞中力仪器科技有限公司
Dongguan Zhongli Instrument Technology Co., Ltd

Tel: +86-769-33657986

Fax: +86-769-33657987

Website: www.zltester.com

E-mail: Zhongli@zltester.com

Add: No.62, Xinhe Management of Area, Wanjiang District, Dongguan, Guangdong, China

Zhongli Introduction:

Zhongli Instrument Located in Dongguan, Guangdong, China. It is a collection development, research, production and sales of integrated lab testing machine.

Zhongli attaches great importance on the construction of independent R&D ability and technical force, and has already built up a professional work team possessing independent R&D ability in order to design and produce better products to meet customers' requirements. Our machines adopt advanced technology and have good quality with high detecting sensitivity, strong anti-interference ability, stable performance etc. Customization is available in Zhongli, and our engineers can design drawings for customers to meet special requirements, also we can design and install machines according to different production lines.

We adhere to the conception of "Customer First", regard meeting customers' requirements as a primary goal and contribute to providing perfect products and satisfying services to our customers.



Thank you!